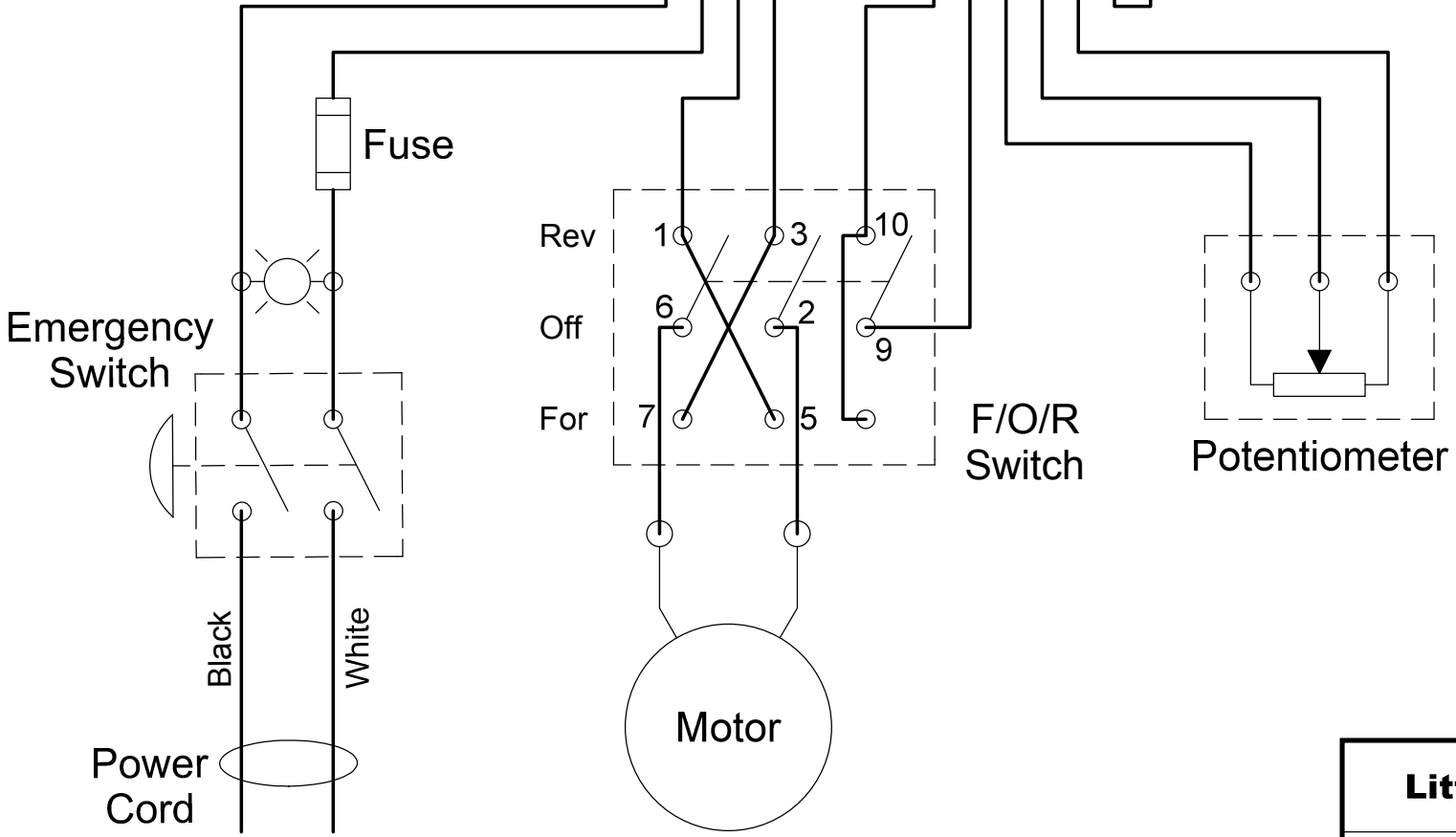
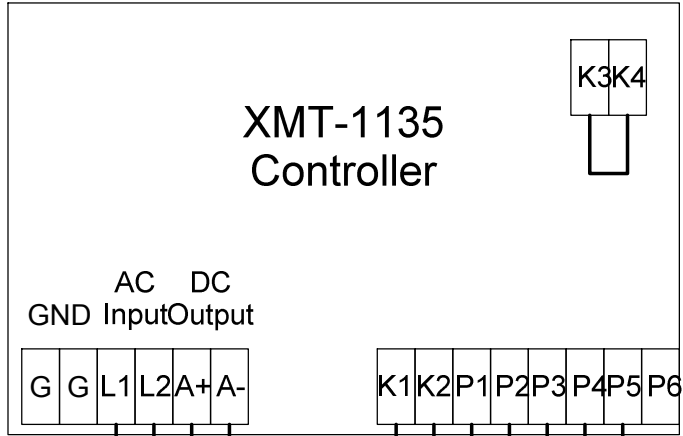


Wiring diagram for standard
Micro-Mark 7x14 mini lathe.



LittleMachineShop.com		
<small>© 2005 LittleMachineShop.com. All rights reserved.</small>		
Wiring Diagram, Mini Lathe		
Revision 0	2513	Sheet 1 of 1