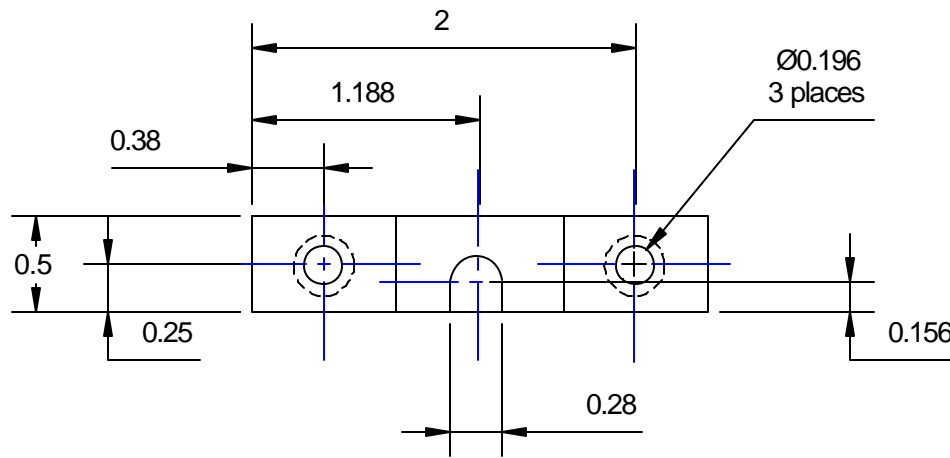


Material: 7/16" Hex, Brass or Steel



Material: 1/2" x 1/2" steel

LittleMachineShop.com

© 2001 LittleMachineShop.com. All rights reserved.

Tailstock Adjuster

Revision 0

Scale 1:1

Sheet 1 of 1