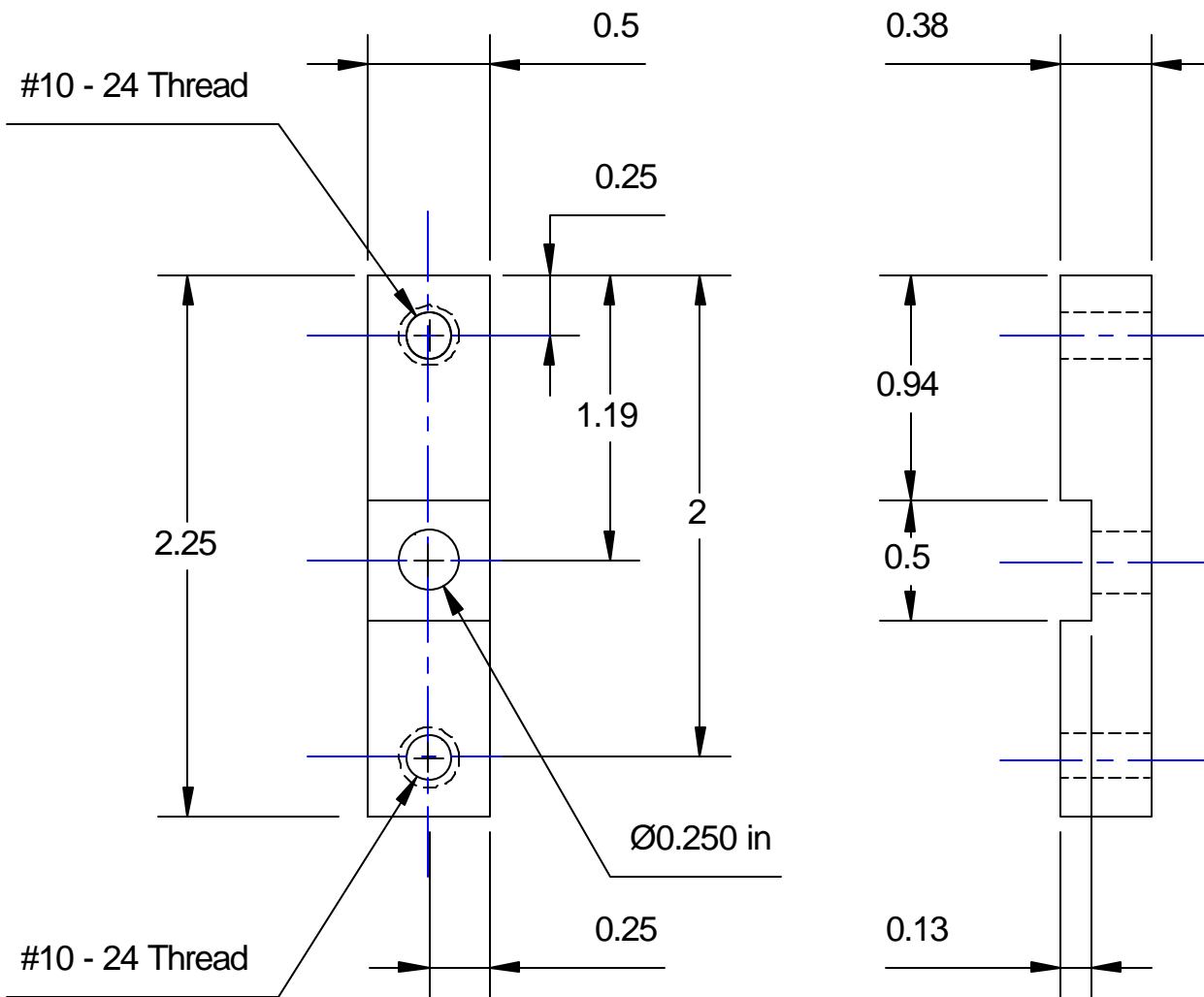


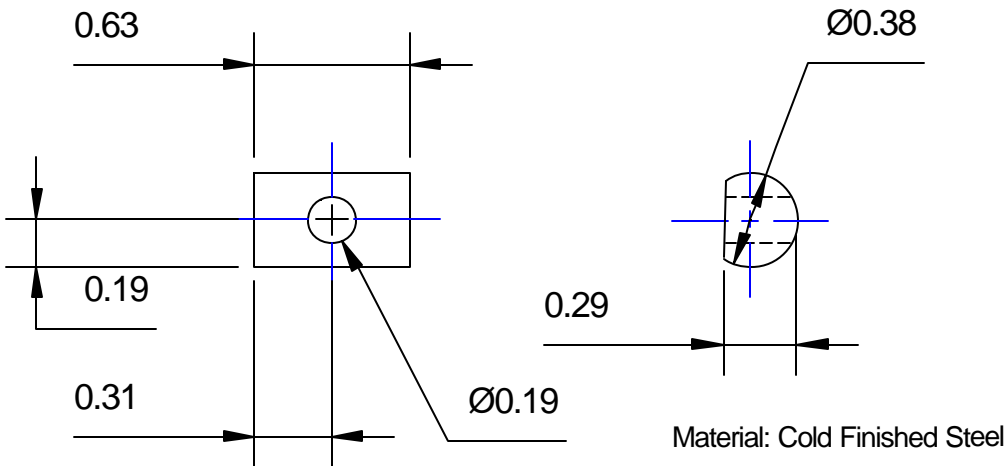
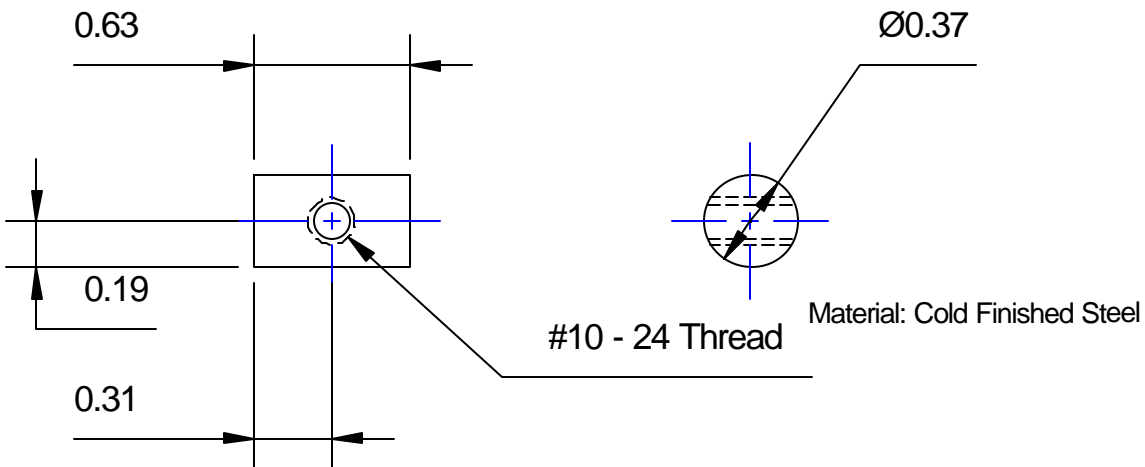
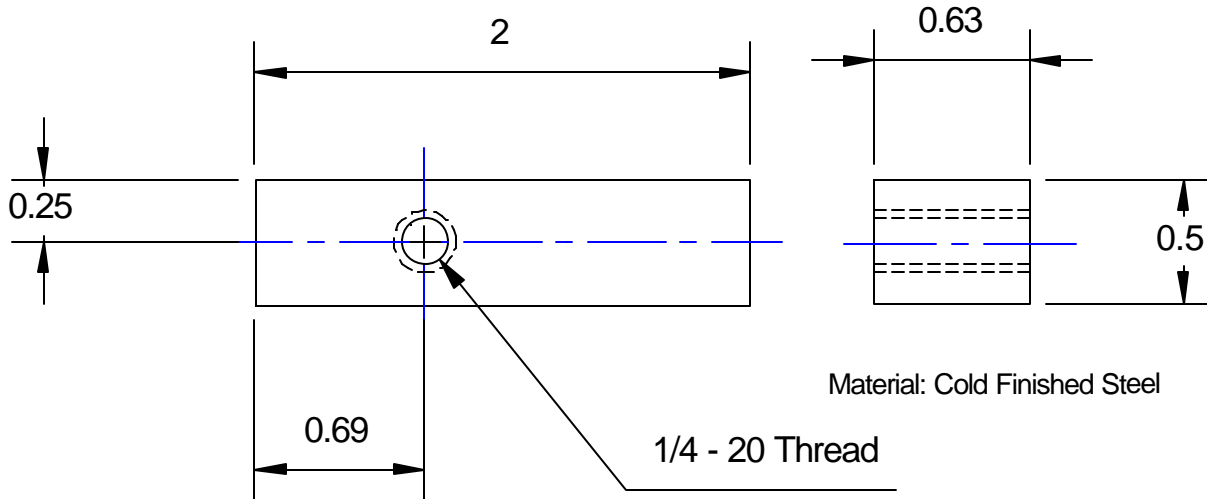
Material: Cold Finished Steel

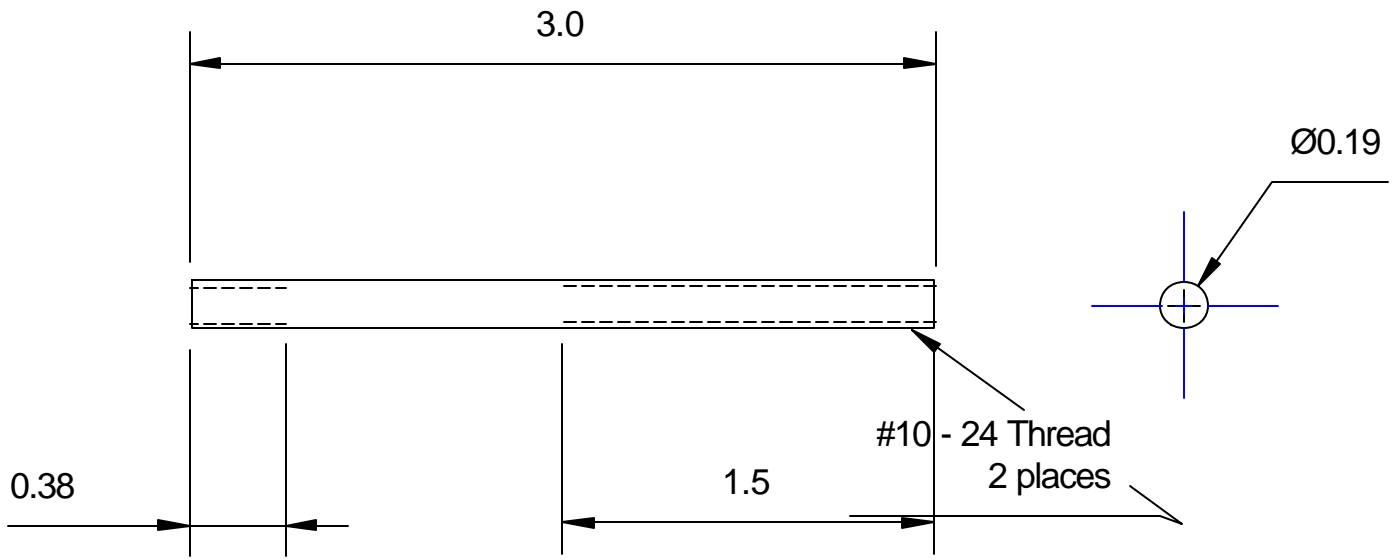
Right hand part shown. Make one right and one left.



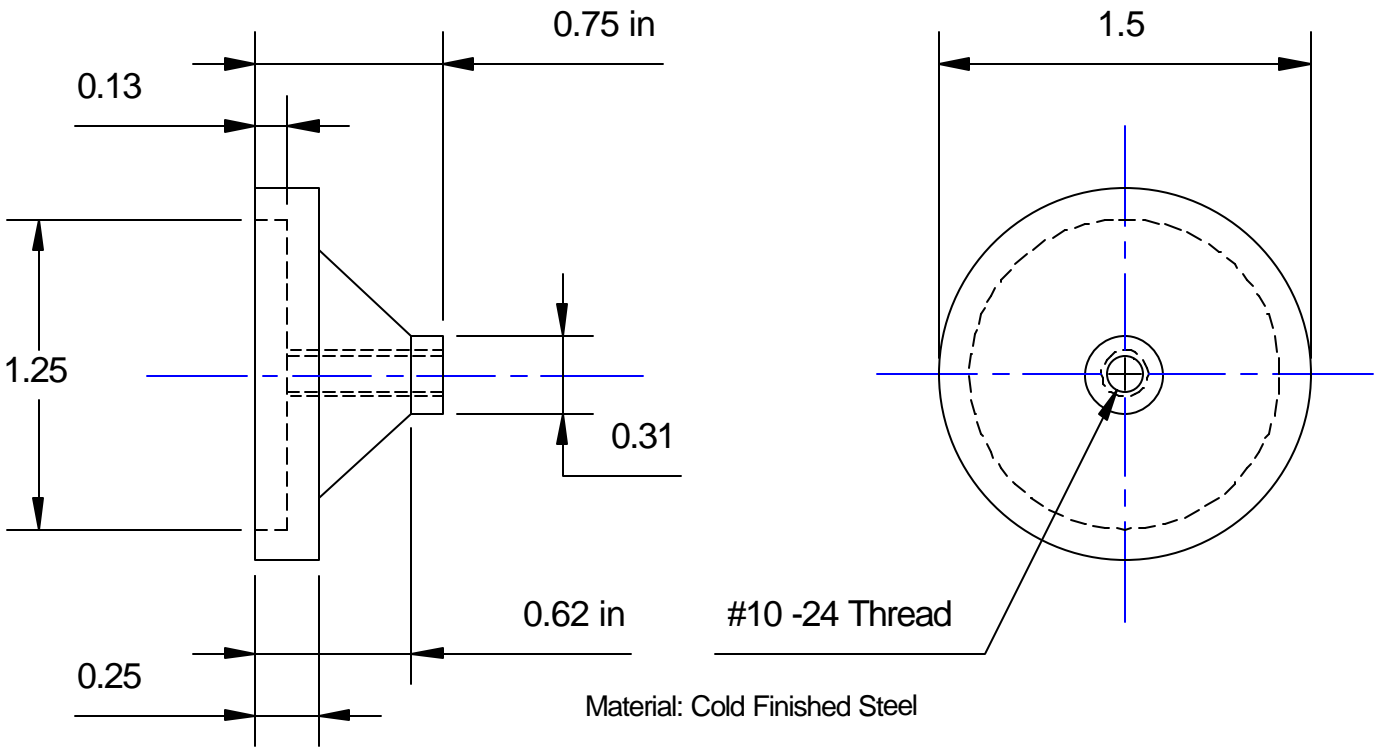
Material: Cold Finished Steel

LittleMachineShop.com		
Knurler Parts		
Revision 0	Scale 1:1	Sheet 1 of 3



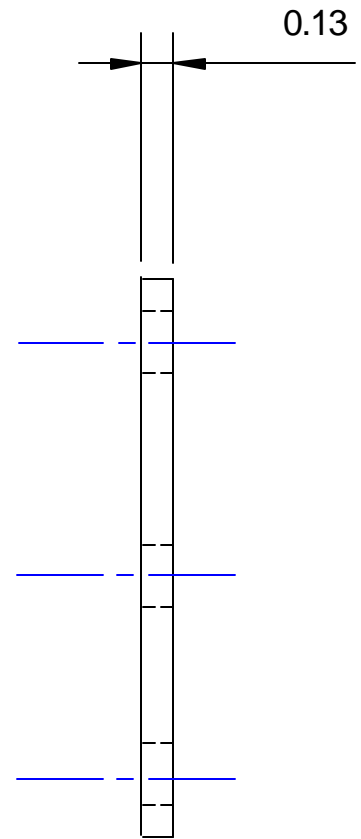
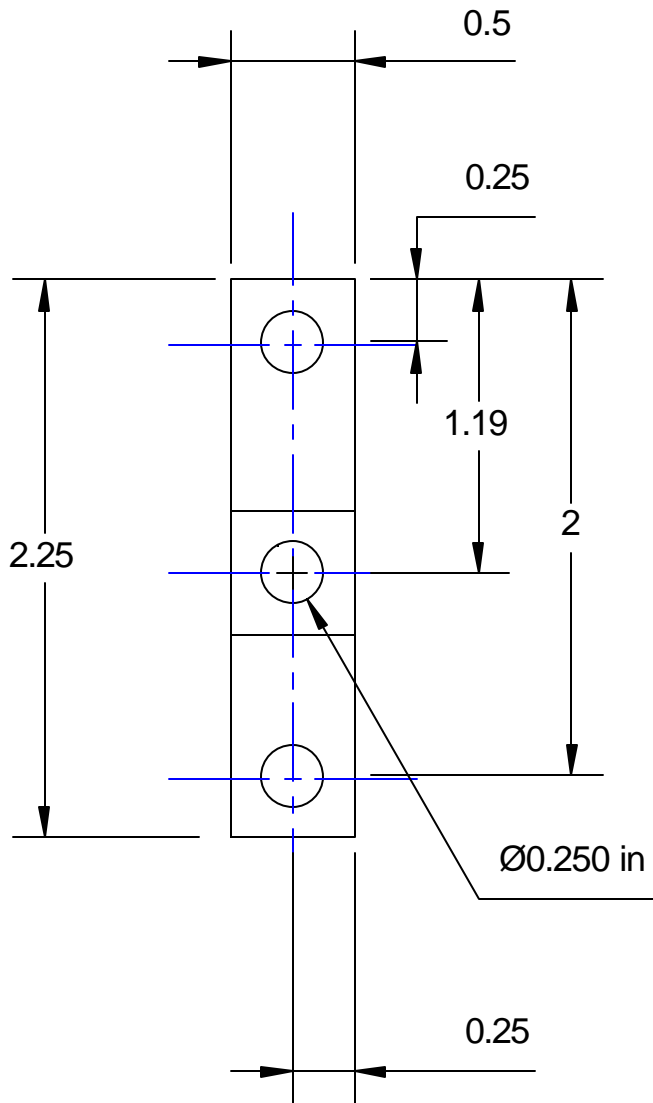


Material: Drill rod

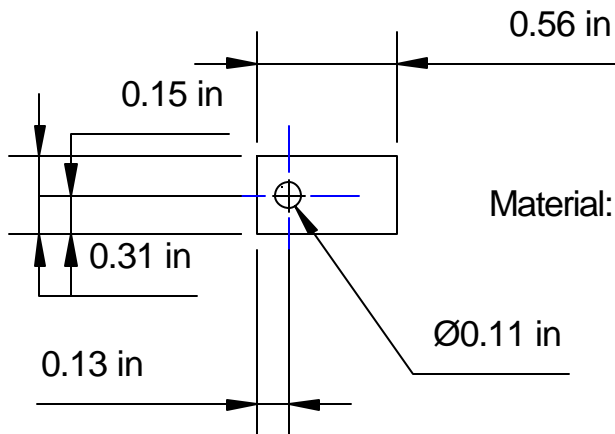


Material: Cold Finished Steel

LittleMachineShop.com		
Knurler Parts		
Revision 0	Scale 1:1	Sheet 2 of 3

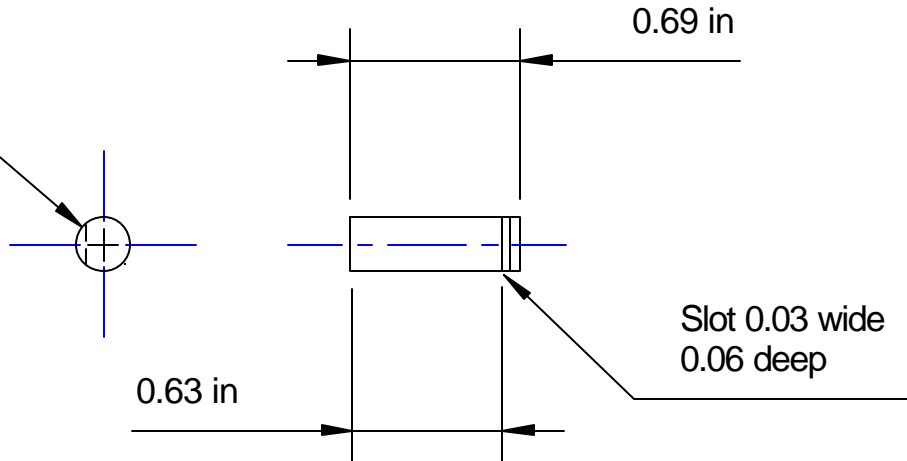


Material: Cold Finished Steel

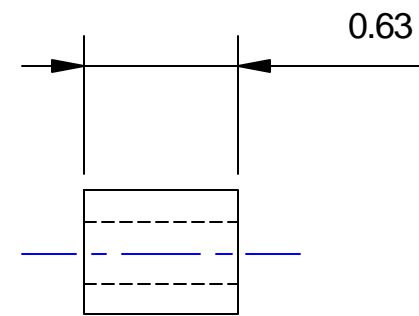
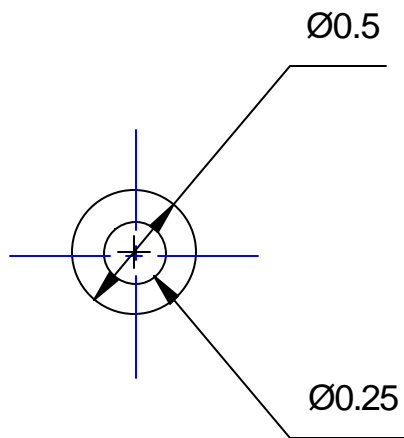


Material: Sheet steel 0.015 to 0.025 thick

Ø0.219 in



Material: Cold Finished Steel



Material: Cold Finished Steel

LittleMachineShop.com

Knurler Parts

Revision 0

Scale 1:1

Sheet 3 of 3