

Bill of Materials

Item	Name	Material
1	Upright	3/8x2x4" Extruded Aluminum Rectangle 6061 T6
2	Cylinder	1x1x2" Extruded Aluminum Square 6061 T6
3	Piston	0.625" Diameter Carbon Round 12L14
4	Crank Pin	9/64" Drill Rod O1
5	Crank Wheel	2" Extruded Aluminum Round 6061 T6
6	Nut	Steel Machine Screw Nut 6-32 Screw Size
7	Setscrew	Cup Point Socket Set Screw 6-32 Thread
8	Cap Screw (2)	Socket Head Cap Screw 10-32x1/2"
9	Base	3/8x4x4" Extruded Aluminum Rectangle 6061 T6
10	Crank Shaft	1/4" Drill Rod O1
11	Nut	Steel Machine Screw Nut 1/4-28 Screw Size
12	Flywheel	2.5" Extruded Aluminum Round 6061 T6
13	Machine Screw	Pan Head Phillips Machine Screw 10-32 Thread
14	Spring	Steel Spring, 1" Long, 11/32" OD, .047" Wire
15	Flat Washer	Flat Washer 10 Size
16	Air fitting	Air Fitting, 10-32 Thread

Notes

Break all sharp edges

Tolerance ± 0.010 unless specified

LittleMachineShop.com

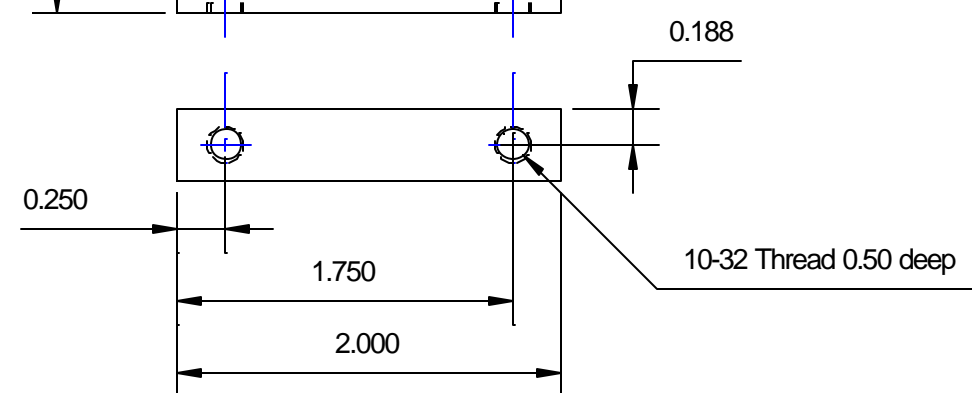
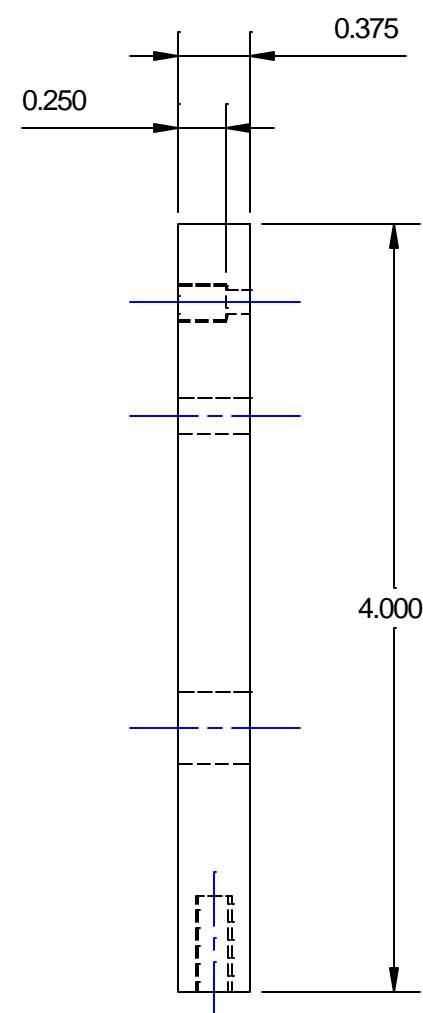
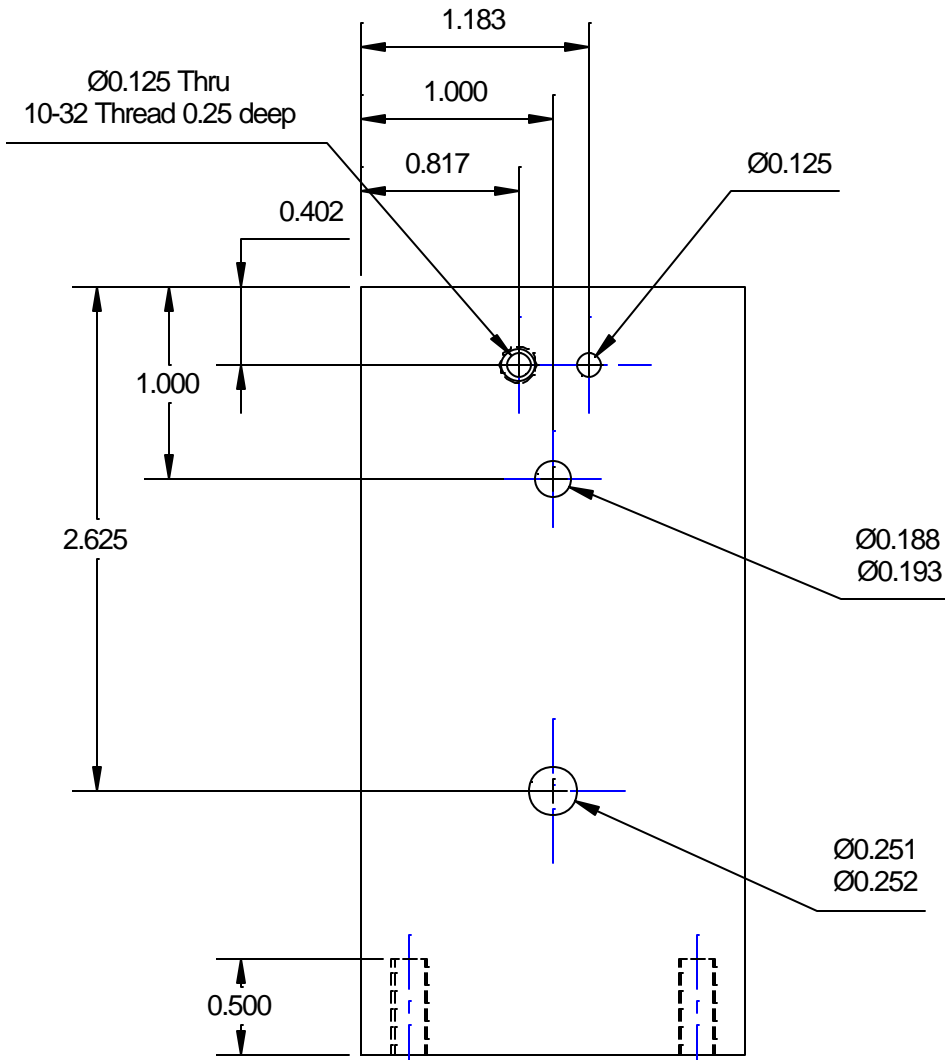
© 2005 LittleMachineShop.com. All rights reserved.

Oscillating Engine Assembly

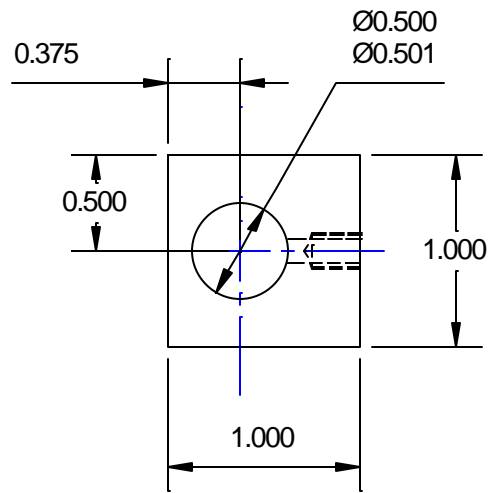
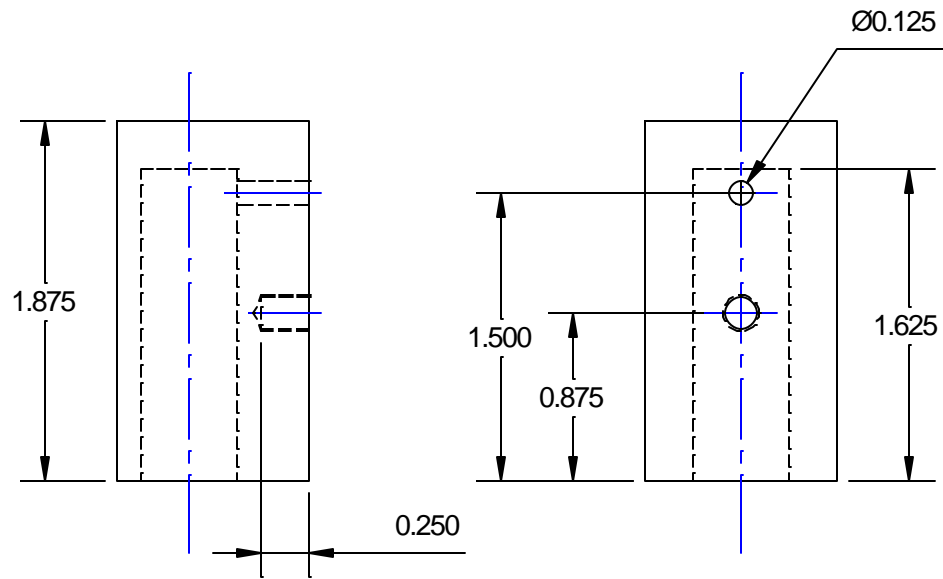
Revision 0

2243

Sheet 1 of 8



LittleMachineShop.com		
© 2005 LittleMachineShop.com. All rights reserved.		
Upright		
Revision 0	Scale 1:1	Sheet 2 of 8



LittleMachineShop.com

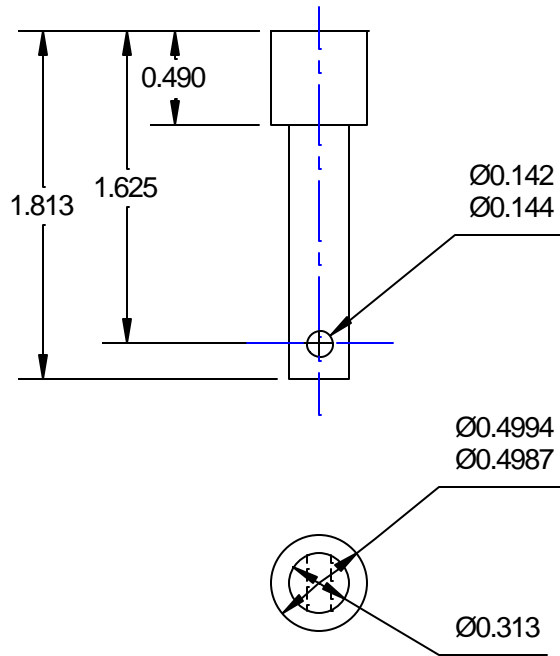
© 2005 LittleMachineShop.com. All rights reserved.

Cylinder

Revision 0

Scale 1:1

Sheet 3 of 8



LittleMachineShop.com

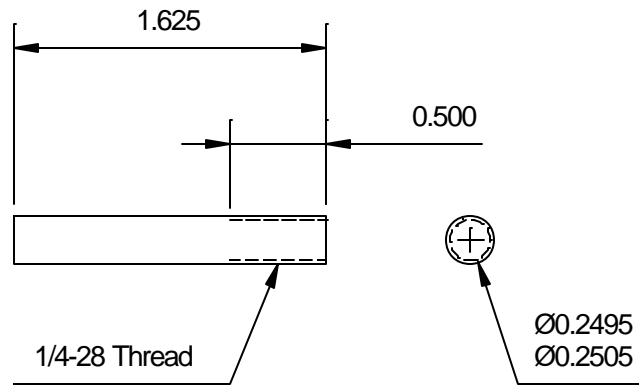
© 2005 LittleMachineShop.com. All rights reserved.

Piston

Revision 0

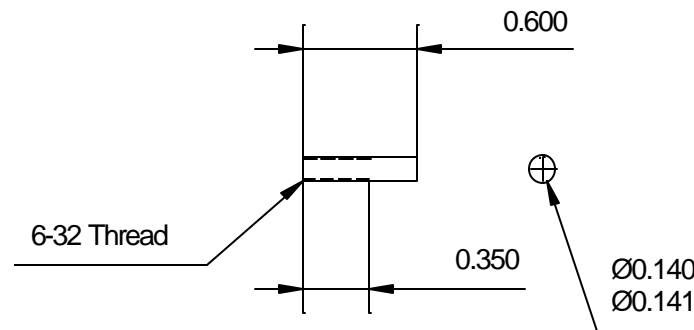
Scale 1:1

Sheet 4 of 8



Shaft

Crank Pin



LittleMachineShop.com

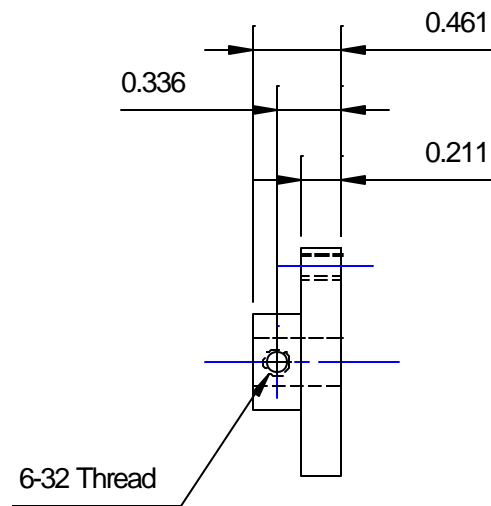
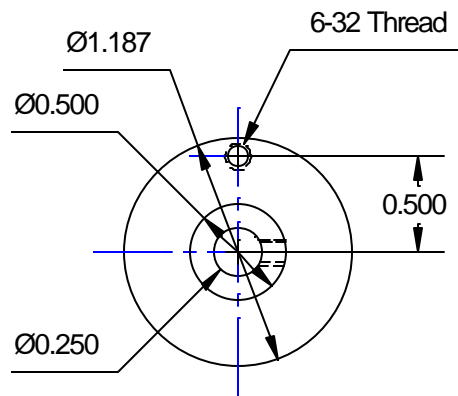
© 2005 LittleMachineShop.com. All rights reserved.

Shaft and Pin

Revision 0

Scale 1:1

Sheet 5 of 8



LittleMachineShop.com

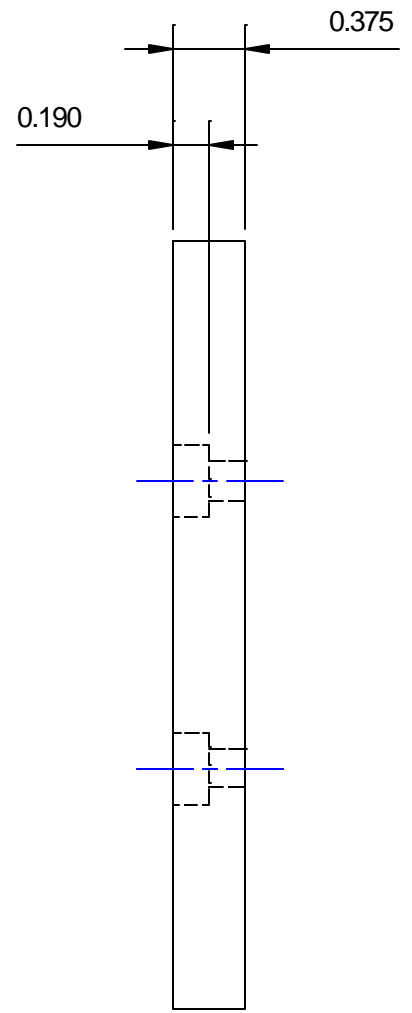
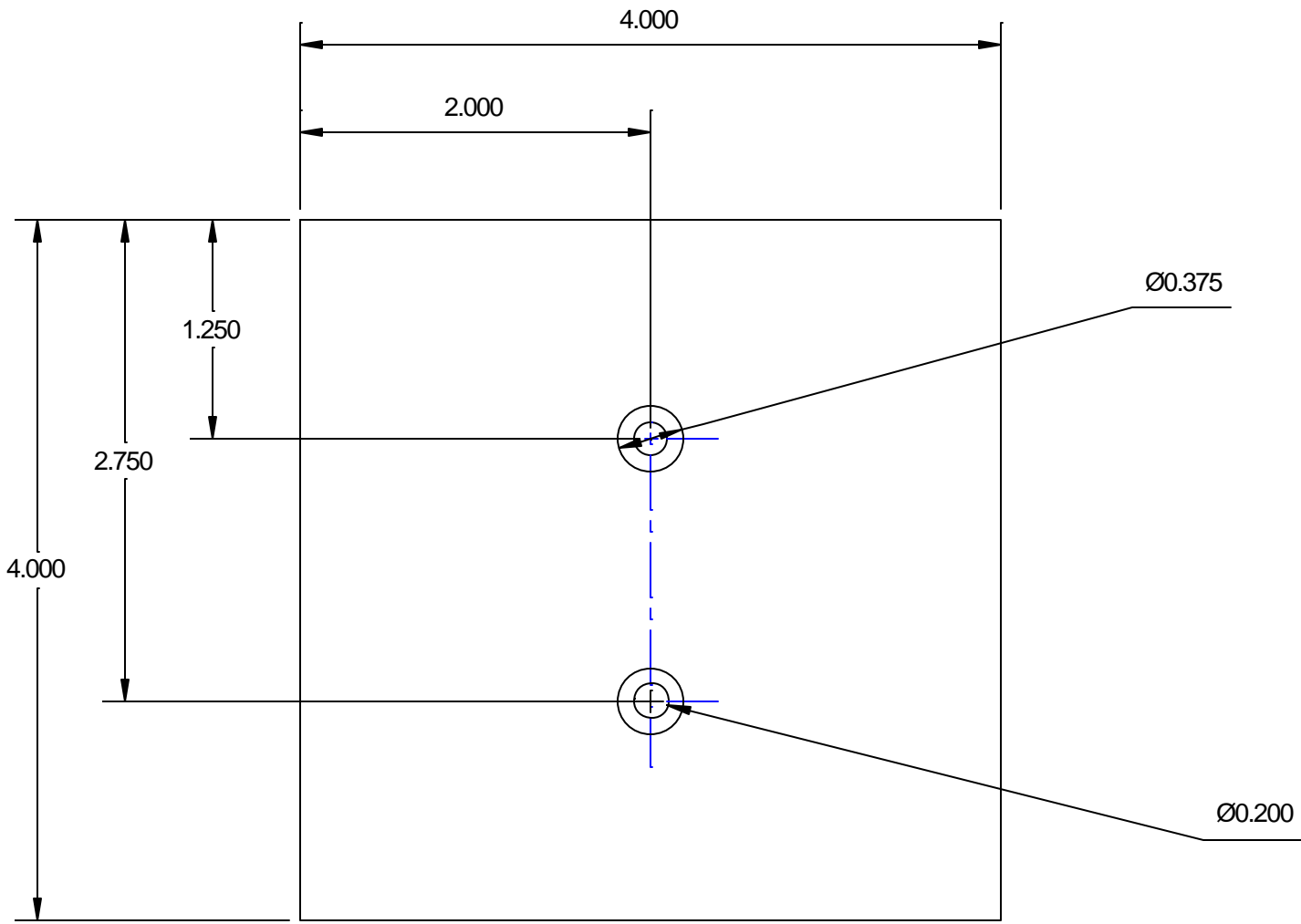
© 2005 LittleMachineShop.com. All rights reserved.

Crank Wheel

Revision 0

Scale 1:1

Sheet 6 of 8



LittleMachineShop.com

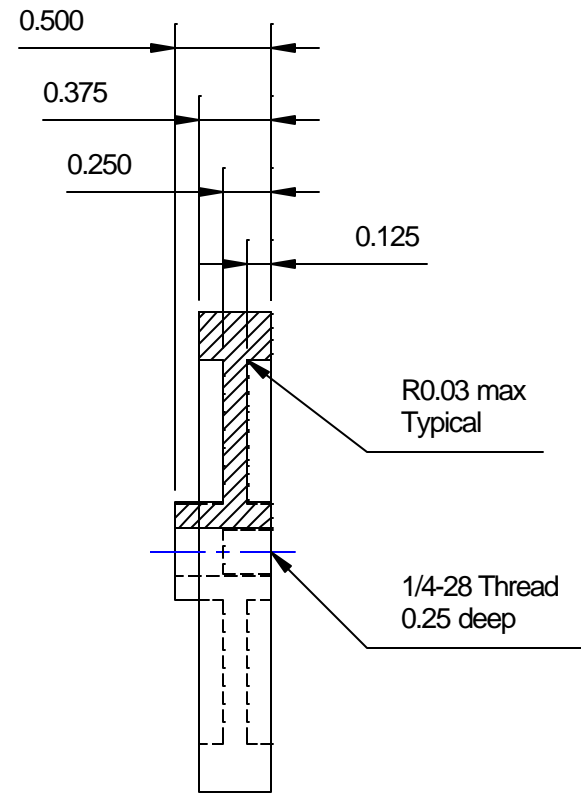
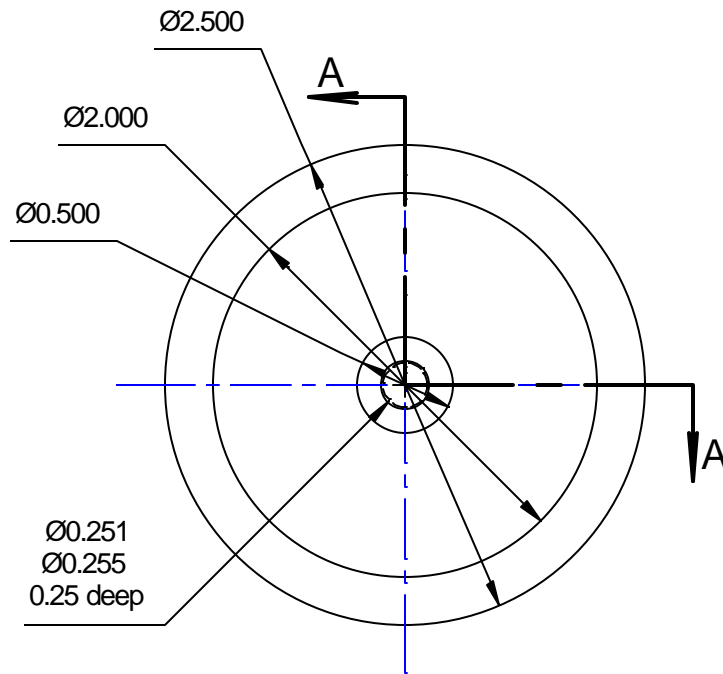
© 2005 LittleMachineShop.com. All rights reserved.

Base

Revision 0

Scale 1:1

Sheet 7 of 8



LittleMachineShop.com

© 2005 LittleMachineShop.com. All rights reserved.

Flywheel

Revision 0

Scale 1:1

Sheet 8 of 8