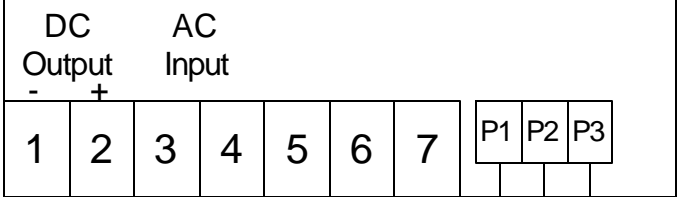
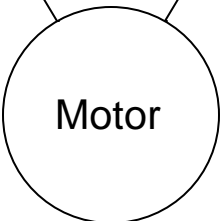
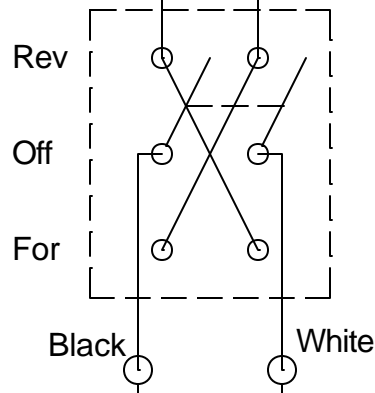


Wiring diagram for HF 7x10 mini lathe with illuminated rocker power switch and upgrade 350-watt controller. Jumpers added to defeat interlock circuit.

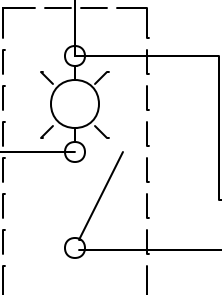
FC350BJ/110V Controller



F/O/R Switch

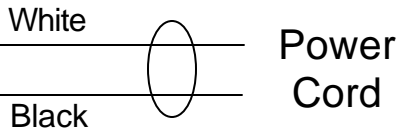
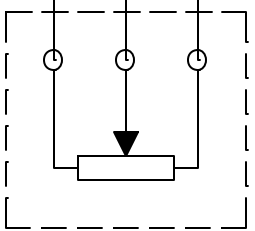


Fuse



Power Switch

Potentiometer



Power Cord

LittleMachineShop.com		
<small>© 2005 LittleMachineShop.com. All rights reserved.</small>		
Wiring Diagram, Mini Lathe		
Revision 0	2510	Sheet 1 of 1