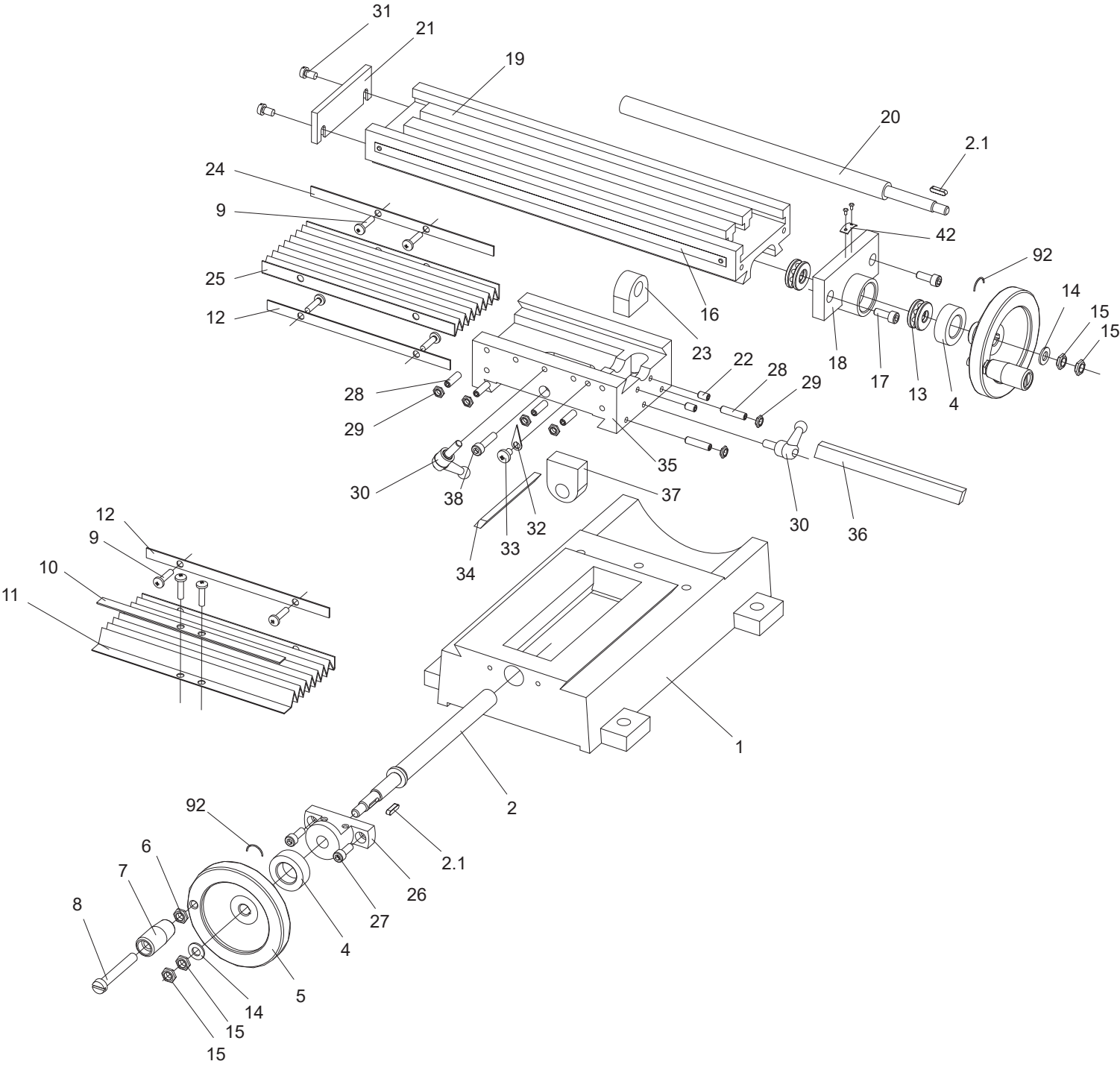


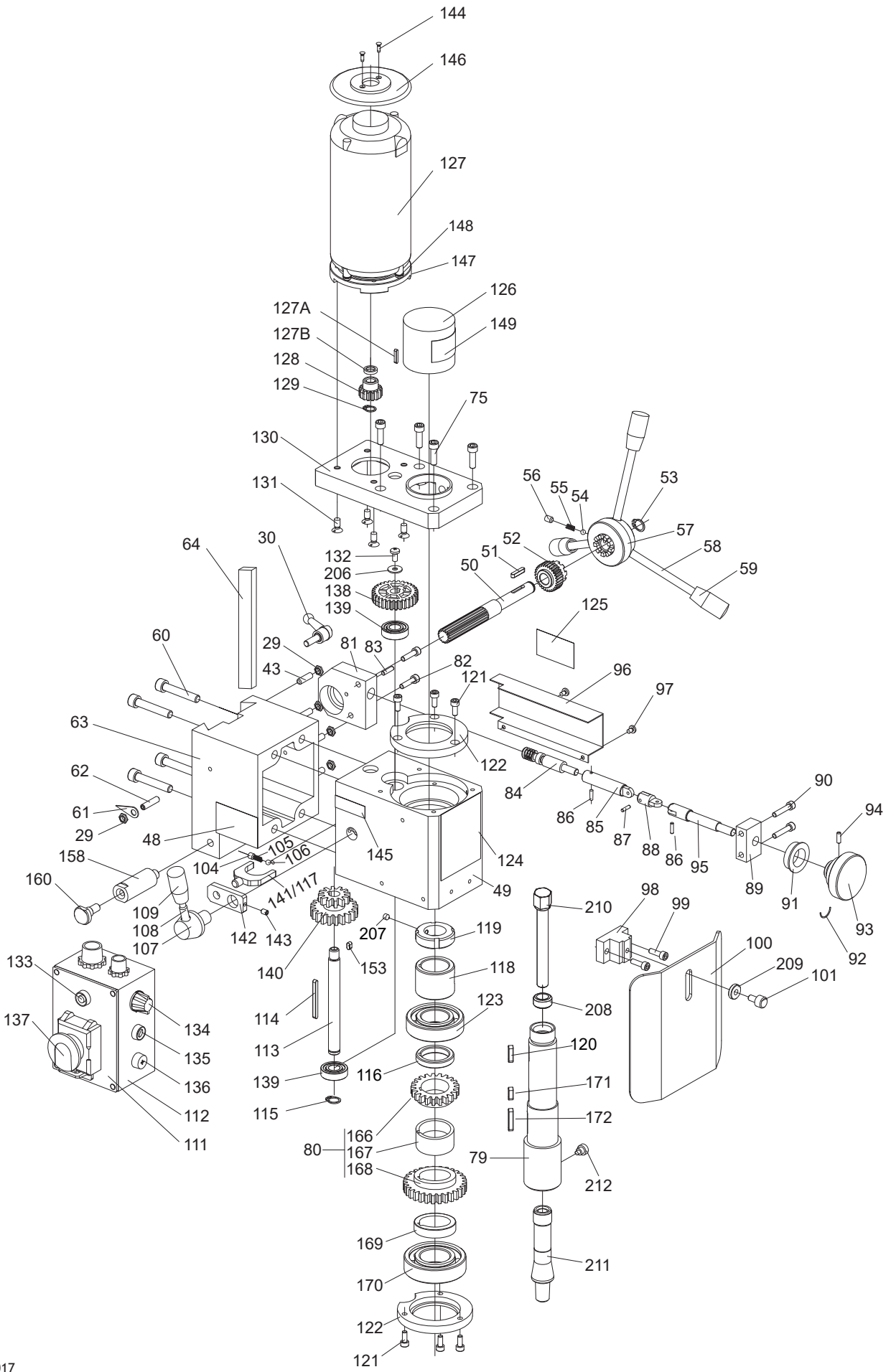
Harbor Freight Central Machinery Mini Mill - Model 44991 (X2) - R8 Spindle

Drawing 1 of 3



Harbor Freight Central Machinery Mini Mill - Model 44991 (X2) - R8 Spindle

Drawing 2 of 3



Harbor Freight Central Machinery Mini Mill - Model 44991 (X2) - R8 Spindle

Drawing 3 of 3

