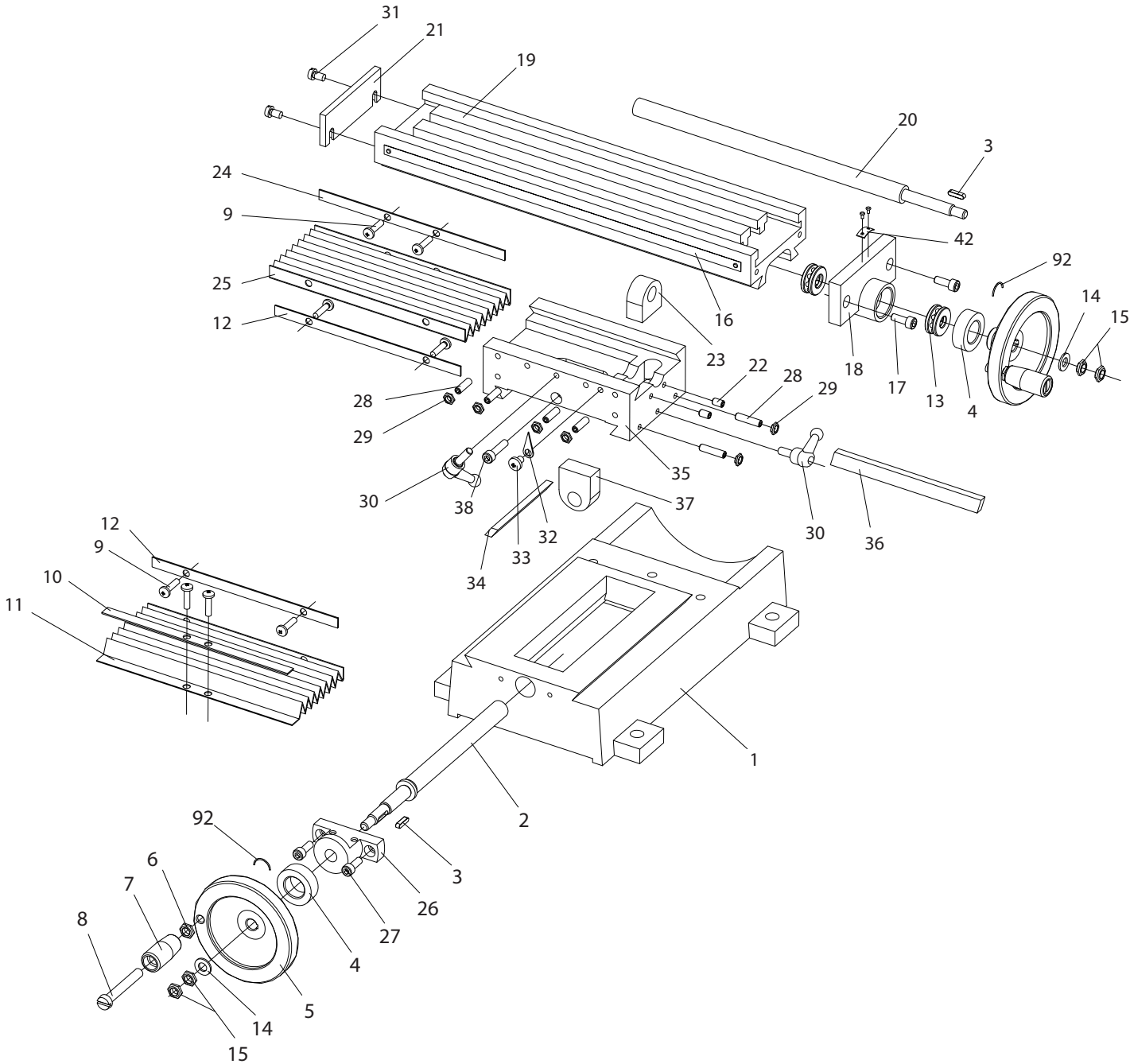


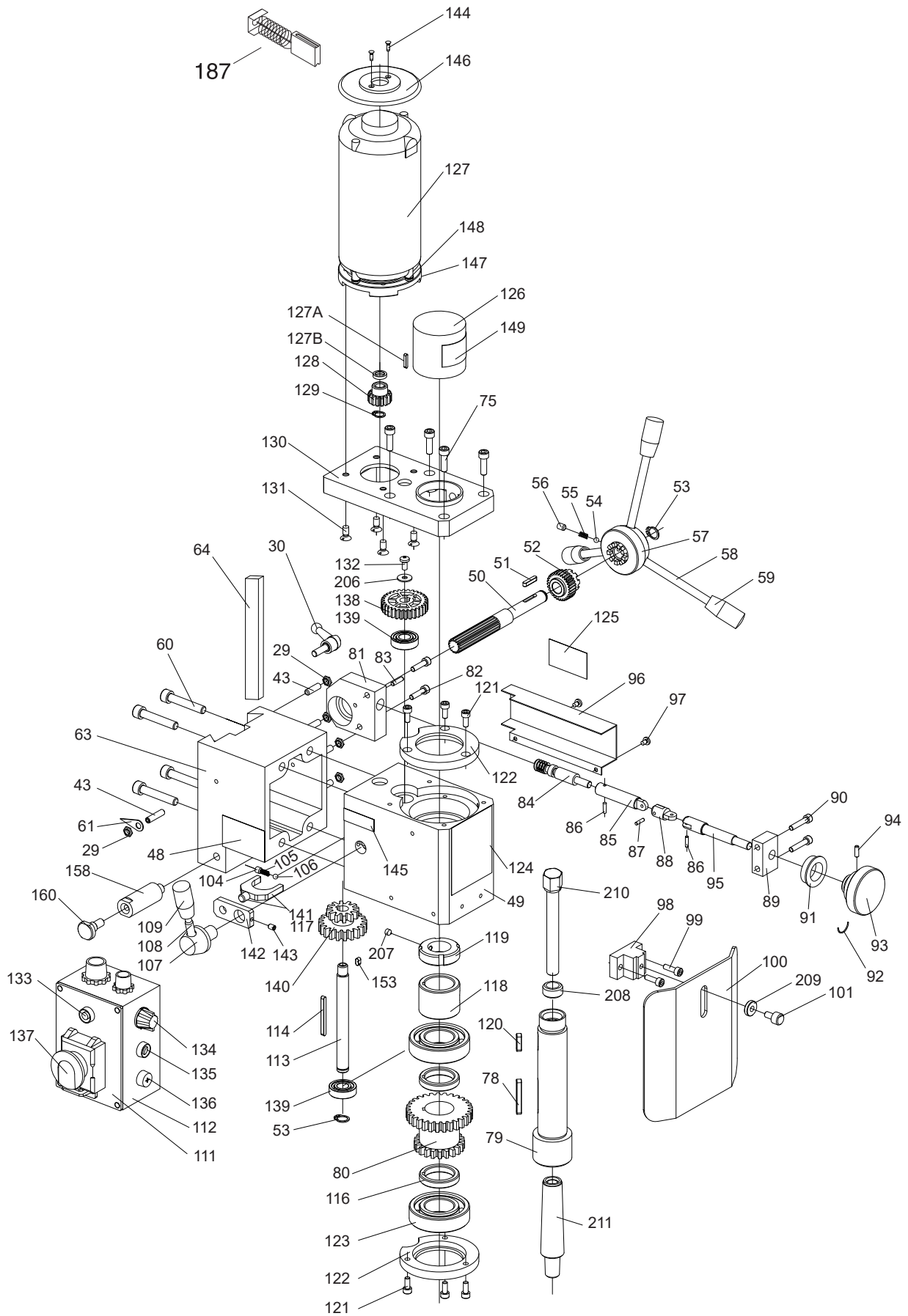
# Grizzly Mini Mill Model G8689 (X2) - 3MT Spindle

Drawing 1 of 3



# Grizzly Mini Mill Model G8689 (X2) - 3MT Spindle

Drawing 2 of 3



# Grizzly Mini Mill Model G8689 (X2) - 3MT Spindle

Drawing 3 of 3

